



Features

1. Service up to 6000 psig (413 bar)
2. By 8 kinds of springs for Nominal Size 1/4in., possible to set the cracking pressure for your request
3. By 3 kinds of springs for Nominal Size 1/2in., possible to set the cracking pressure for your request

Technical Data

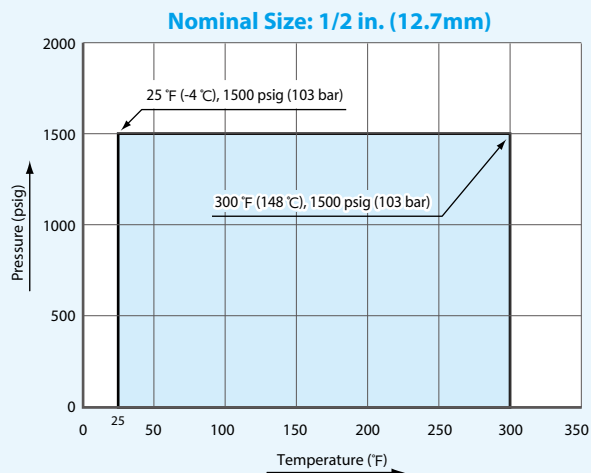
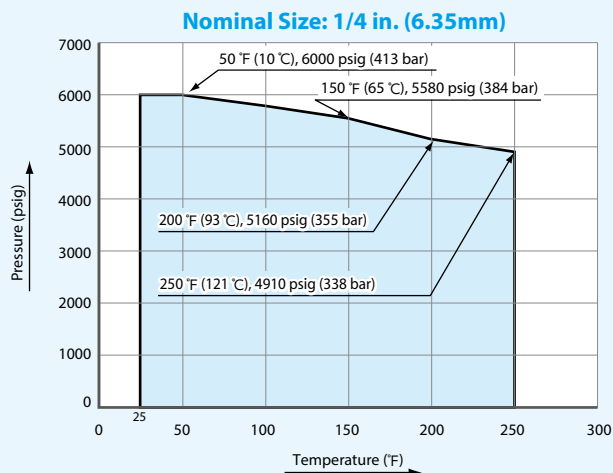
Working Pressure

	Nominal Sizes inch(mm)	
	1/4 (6.35)	1/2 (12.7)
Working pressure at 70 °F (20 °C)	6000 psig (413 bar): up to 8000 psig (551 bar) during relief	6000 psig (413 bar)
Set Pressure ※1	50 to 6000 psig (3.4 to 413 bar)	50 to 1500 psig (3.4 to 103 bar)
Outlet pressure ※2	1500 psig (103 bar)	2500 psig (172 bar)
Seat Material	FKM, Chloroprene Rubber, Kalrez®	FKM, Chloroprene Rubber

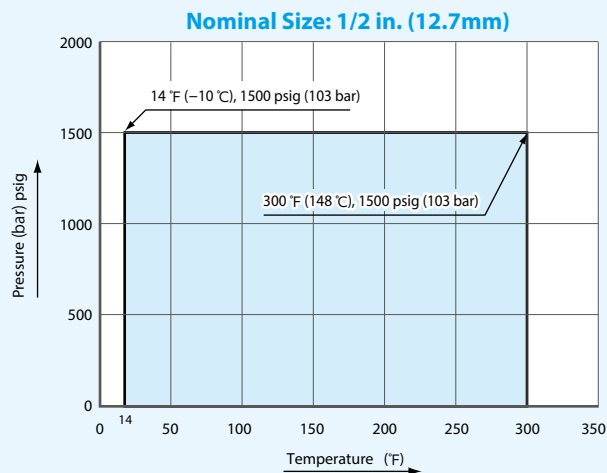
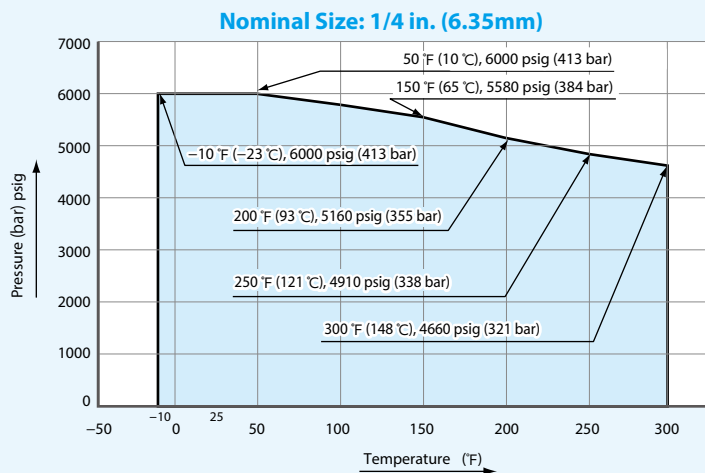
- ※ 1: Please confirm the maximum setting pressure in each temperature from the Temperature and Pressure Rating. The pressure-temperature ratings are based upon laboratory testing to ensure that the cracking pressure (※ 3) does not deviate by more than 20 % from the Initial room-temperature set pressure.
- ※ 2: Outlet pressure should not exceed Inlet pressure.
- ※ 3: Cracking pressure means the inlet pressure at the time of showing the indication of the flow starting. The flow starting indicates the flow level that bubbles are generated continuously from outlet piping in the water, when pressurizing from inlet piping.

Temperature and Pressure Rating

Seat Materials: FKM



Seat Material: Chloroprene Rubber



Note: If the end connection is **New V-Lok** type, the working pressure may be low depending on the tube used. For details, please refer to 1-1, 1-2 in the table of P12.

Applicable Fluid

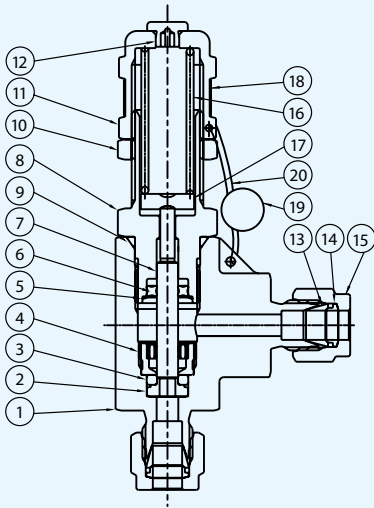
Air, Nitrogen gas, Inert gas like Helium, and non-corrosive gas and Liquid.

Attention and asking in selection

1. The spring isn't built in the valve, so please order the spring kit separately. (Please refer to the P.208 "Ordering Information")
2. This product opens gradually as the pressure increases. There is no designated capacity rating at a given pressure (accumulation), therefore, the product does not confirm to ASME standard or any other standards.
3. A higher relief pressure than the set pressure may be required for opening the product initially, when the product is not in use for a long period of time.
4. This product is a relief valve, therefore, do not use it as a safety valve.

Materials of Construction

Nominal size: 1/4 in. (6.35mm)

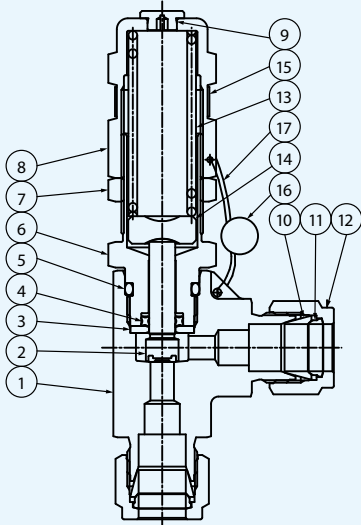


No.	Description	Materials
1	BODY ※ 1	ASTM A182 F316
2	INSERT ※ 1	ASTM A479 316
3	O-RING ※ 1	FKM ※ 3
4	SEAT RETAINER ※ 1	ASTM A479 316
5	RETAINER ※ 1	SUS304
6	X-RING ※ 1	FKM ※ 3
7	STEM ※ 1	ASTM A479 316
8	BONNET ※ 1	ASTM A479 316
9	O-RING ※ 1	FKM ※ 3
10	LOCK NUT	ASTM A276 316

No.	Description	Materials
11	CAP	ASTM A479 316
12	PLUG	NYLON6
13	FRONT RING ※ 1	ASTM A276 316
14	BACK RING ※ 1	ASTM A276 316
15	NUT	ASTM A479 316
16	SPRING ※ 2	SUS631
17	SPRING SUPPORT ※ 2	ASTM A276 316
18	LABEL ※ 2	PET
19	CORD SEAL ※ 2	Pb
20	WIRE ※ 2	SUS304-W1

- ※ 1: Wetted Part
- ※ 2: Parts of No.16-20 aren't built in the valve. Please order the spring kit of another sales separately. (Please refer to P.208 "Ordering Information")
- ※ 3: Available Chloroprene Rubber, Kalrez® for option.

Nominal size: 1/2 in. (12.7mm)



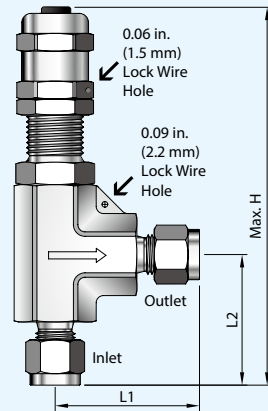
No.	Description	Materials
1	BODY ※ 1	ASTM A182 F316
2	STEM ※ 1	ASTM A479 316+FKM
3	RETAINER ※ 1	ASTM A479 316
4	X-RING ※ 1	FKM ※ 3
5	O-RING ※ 1	FKM ※ 3
6	BONNET ※ 1	ASTM A479 316
7	LOCK NUT	ASTM A276 316
8	CAP	ASTM A479 316
9	PLUG	NYLON 6

No.	Description	Materials
10	FRONT RING ※ 1	ASTM A276 316
11	BACK RING ※ 1	ASTM A276 316
12	NUT	ASTM A479 316
13	SPRING ※ 2	SUS631
14	SPRING SUPPORT ※ 2	ASTM A276 316
15	LABEL ※ 2	PET
16	CORD SEAL ※ 2	Pb
17	WIRE ※ 2	SUS304-W1

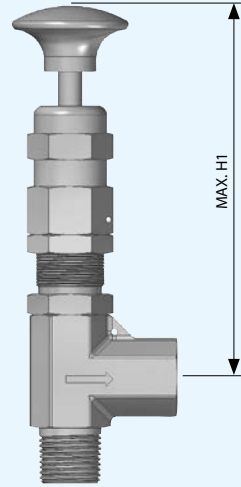
- ※ 1: Wetted Part
- ※ 2: Parts of No.13-17 aren't built in the valve. Please order the spring kit of another sales separately. (Please refer to P.208 "Ordering Information")
- ※ 3: Available Chloroprene Rubber, Kalrez® for option.

Dimensions

Standard Type



with Pressure Relief Handle Type



Nominal Size: 1/4 Type

End Connection Inlet/Outlet	Nominal Sizes	Working Pressure psig (bar)	Orifice inch (mm)	Dimensions inch (mm)				Ordering Numbers
				L1	L2	H	H1	
New V-Lok	1/4 in. (6.35mm)	6000 (413)	0.14 (3.6)	1.6 (40.6)	1.44 (36.6)	4.13 (105)	4.09 (104)	VURF-041L-6.35-V
NPT ※	1/4			1.17 (29.7)	1.19 (30.2)	3.89 (98.8)		VURF-341LBNM×BNF

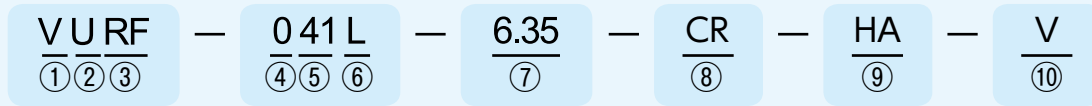
Nominal Size: 1/2 Type

End Connection Inlet/Outlet	Nominal Sizes	Working Pressure psig (bar)	Orifice inch (mm)	Dimensions inch (mm)				Ordering Numbers
				L1	L2	H	H1	
New V-Lok	1/2 in. (12.7mm)	6000 (413)	0.252 (6.4)	1.83 (46.5)	1.83 (46.5)	5.91 (150)	5.35 (136)	VURF-041L-12.7-V
NPT ※	1/2			1.43 (36.3)	1.43 (36.3)	5.51 (140)		VURF-341LDNM×DNF

※ : Inlet: Male, Outlet: Female

Ordering Information

Relief Valves



Spring kit

Set Pressure psig(bar)	Spring Color	Ordering Numbers
Nominal Sizes 1/4 in.		
50-350 psig (3.4-24.1bar)	Blue	SK-VURF-6.35-A
350-750 psig (24.1-51.7bar)	Yellow	SK-VURF-6.35-B
750-1500 psig (51.7-103bar)	Purple	SK-VURF-6.35-C
1500-2250 psig (103-155bar)	Orange	SK-VURF-6.35-D
2250-3000 psig (155-206bar)	Brown	SK-VURF-6.35-E
3000-4000 psig (206-275bar)	White	SK-VURF-6.35-F
4000-5000 psig (275-344bar)	Red	SK-VURF-6.35-G
5000-6000 psig (344-413bar)	Green	SK-VURF-6.35-H
Nominal Sizes 1/2 in.		
50-350 psig (3.4-24.1bar)	Blue	SK-VURF-12.7-A
350-750 psig (24.1-51.7bar)	Yellow	SK-VURF-12.7-B
750-1500 psig (51.7-103bar)	Purple	SK-VURF-12.7-C

- ① Valve Series
- ② Body Material
Stainless Steel
- ③ Valve Type
Relief Valves
- ④ End Connections
New V-Lok, Angle Type
- ⑤ Working Pressure
6000 psig (413 bar)
- ⑥ Lock Nut
- ⑦ Connection Sizes
6.35 : **New V-Lok** 1/4 in.
12.7 : **New V-Lok** 1/2 in.
BNM × BNF : 1/4 NPT
Inlet: Male Pipe
Outlet: Female Pipe
DNM × DNF: 1/2 NPT
Inlet: Male Pipe
Outlet: Female Pipe
- ⑧ Seal Material
Blank : FKM (Standard)
CR : Chloroprene Rubber
- ⑨ Blank : Standard
HA : with Pressure Relief Handle Type
- ⑩ **New V-Lok** Type

Factory-Set Relief Valves

Relief valves are available with springs factory-set to a special set pressure. Valves are set, tested locked, and stuck a label with the set pressure. Inspection certificate is also attached.

To order, add the alphabet A-H of Ordering Numbers whose includes the desired set pressure to the valve ordering number; specify the desired set pressure.

Example: VURF-041L-6.35-A

Manual Override Handle Kits

A manual override handle opens the valve without changing the set pressure.

kits contain handle, pull rod, spring support, and instructions. To order, select the desired kit ordering number.

Nominal Sizes	Ordering Numbers	Applicable Spring kit (Ordering Number at the end)
1/4in. (6.35mm)	HK-VURF-6.35	A, B, C
1/2in. (12.7mm)	HK-VURF-12.7	A